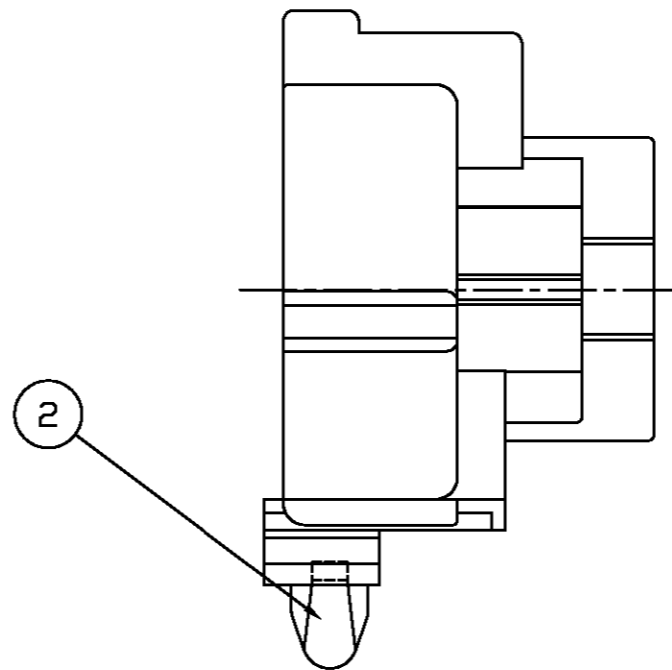
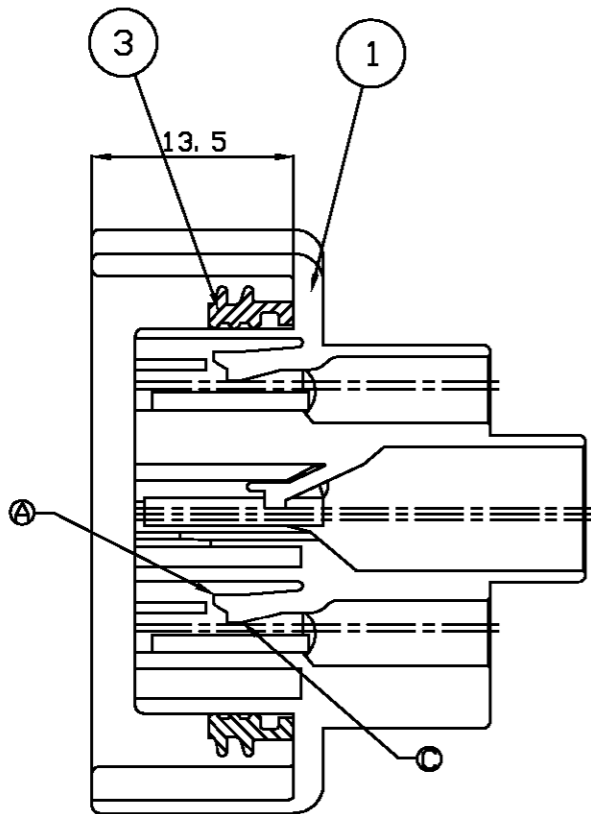
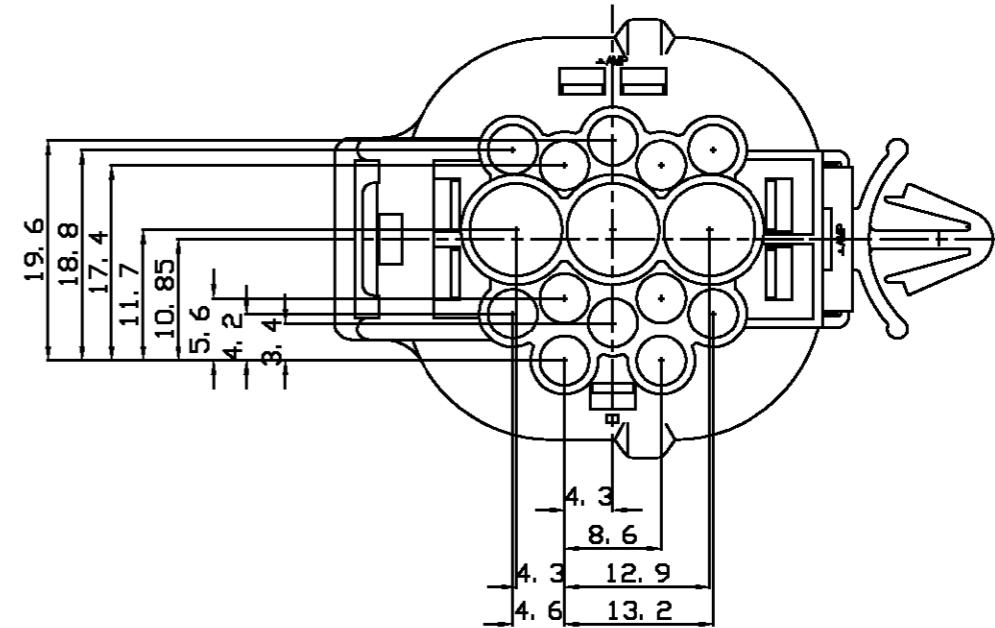
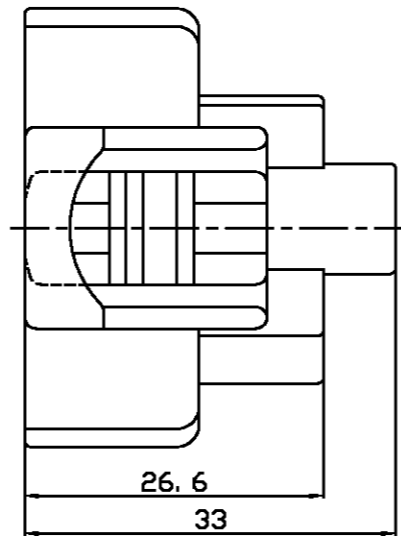
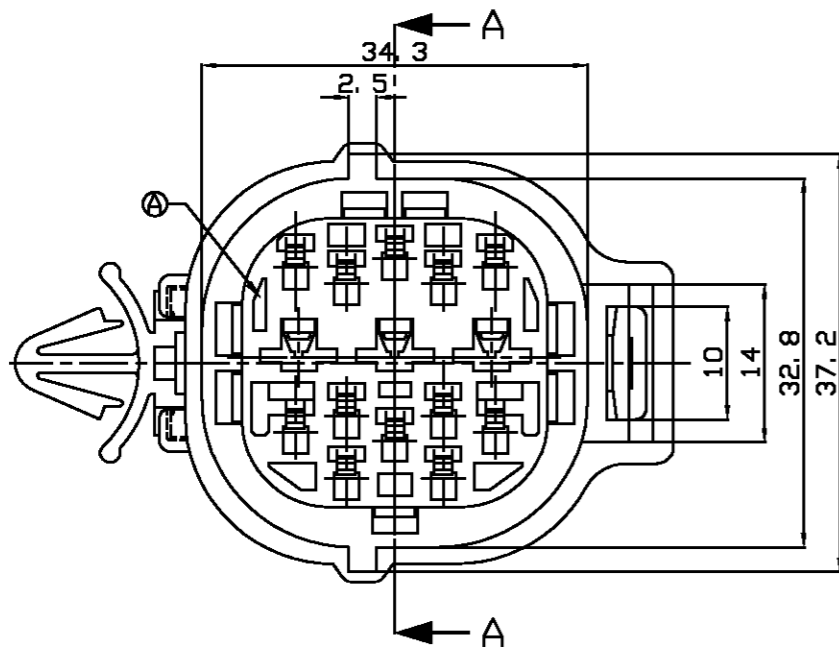


LOC	DIST	REVISIONS				
P	LTR	DESCRIPTION	DATE	DWN	APVD	
	A	REVISED(RD96-402)	12/23 '96	JC	JK	
	B	REVISED(FC00-0021-98)	6/13 '98	HSK	CS	
	C	REVISED(FC00-0170-03)	12. DEC. '03	YH	CS	



NOTES

- FOR CAP HOUSING (P/N: 85264)
- THIS PART MUST BE USED WITH DOUBLE LOCK PLATE (P/N: 85223)
- APPLY P/N 85263-1(EJ MKII + 15P PLUG HSG) AND 172745-1(SEAL RING FOR EJ MKII + 15P PLUG HSG) TO ASSEMBLY P/N 2-85262-1.

2-85262-1	1-85262-5	1-85262-1	85262-5	85262-1
ASS'Y P/N				

NO	PART. NO	DESCRIPTION	NAT'L	COLOR	ITEM NO	REMARK	Q'TY
5	172745-1	SEAL RING FOR EJ MKII(+)-15Pos PLUG HSG	NBR	BLACK	③		1
4	368121-1	CLIP HSG FOR EJ MKII(+)-15Pos PLUG HSG	PA66	BLACK	②		1
3	85229-1	CLIP HSG FOR EJ MKII(+)-15Pos PLUG HSG	PA66	BLACK	②		1
2	85263-5	EJ MKII(+)-15Pos PLUG HSG	PA66	GRAY	①		1
1	85263-1	EJ MKII(+)-15Pos PLUG HSG	PA66	BLACK	①		1

<p>THIS DRAWING IS CONTROLLED DOCUMENT FOR AMP INCORPORATED. IT IS SUBJECT TO CHANGE AND THE CONTROLLING ENGINEERING ORGANIZATION SHOULD BE CONTACTED FOR THE LATEST REVISION.</p>		DWN	<p>AMP AMP KOREA. kyungsan, korea</p>		
<p>DIMENSIONS: MM</p>		CHK			
<p>TOLERANCES UNLESS OTHERWISE SPECIFIED:</p> <p>0 <XX<10 ± 0.2 10<XX<30 ± 0.25 30<XX ± 0.3 ANGLES ± 3°</p>		APVD	NAME		
<p>3rd ANGLE PROJECTION</p>		PRODUCT SPEC	070/250 15P PLUG ASS'Y ECONOSEAL J-MARKII CONN.		
<p>MATERIAL</p>		APPLICATION SPEC	SIZE	CAGE CODE	DRAWING NO
<p>SEE TABLE</p>		WEIGHT	A3	00779	C- 85262
			SCALE	SHEET	REV
			1.5/1	1 OF 1	C